

## ARGON HANDGUARD PARAMANO ARGON

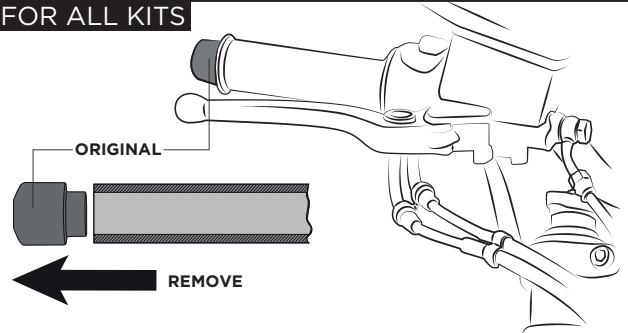
COD. 500008024 REV.3

### ACERBIS PARTS



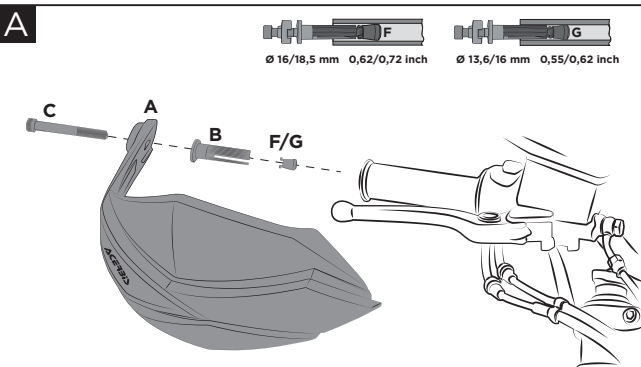
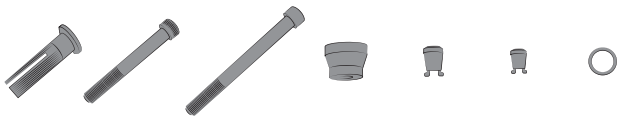
A - (2 PCS)

### FOR ALL KITS

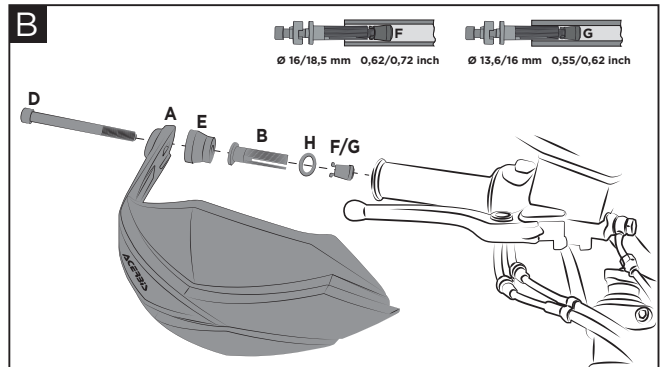


Untighten the original screw and remove the counterweight. In case of closed handle grip, you must smooth a hole of 22mm to it. Svitare la vite originale e rimuovere il contrappeso. In caso di manopola chiusa va regolato un foro di 22mm sulla stessa.

### 0024994.



**Mount the handguard (A) using the screw (C), the expander (B) and the insert (G/F) by first matching the handlebar's diameter.**  
Montare il paramano (A) tramite la vite (C), l'espander (B) e l'inserto (G/F) in funzione del diametro del manubrio.



**If you need to distance the handguard from the handlebar (in situations where the handguard obstructs parts of the bike), you can use the spacer (E) with the screw (D), the expander (B) and the insert (G/F) according to the handlebar's diameter. In case of handlebars with internal diameter wider than 18 mm, use the spacer (H).**  
Se si volesse allontanare il paramano dal manubrio (ad esempio per evitare ingombri del paramano con parti della moto), è possibile usare il distanziale (E) con la vite (D), l'espander (B) e l'inserto (G/F) in funzione del diametro del manubrio. In caso di manubri con diametro interno superiore ai 18 mm, utilizzare lo spessore (H).

### WARNING!

Follow mounting instruction exactly. Ensure that the mounting is secure before riding. These handguards will not prevent injury in the event of a crash. They are designed to protect the hands from cold weather. Be sure that you follow the instruction for installing the handguards. Do not ride with a broken tie wrap. Check to be sure the throttle and other controls are free every time you ride. Failure to heed instruction and this warning could lead to interference with the controls, loss of control of the motorcycle, and an accident.

#### EUROPE

ACERBIS ITALIA S.P.A.  
VIA SERIO, 37  
24021 ALBINO (BG)  
ITALY

#### U.S.A.

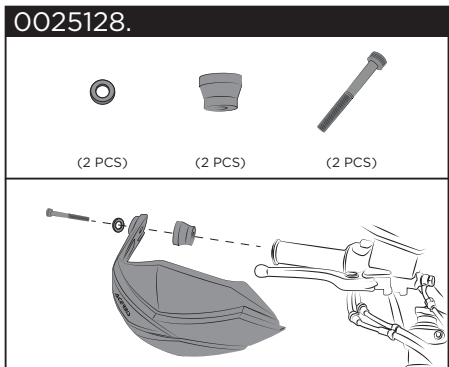
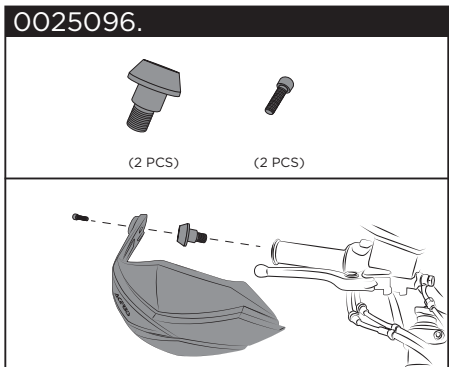
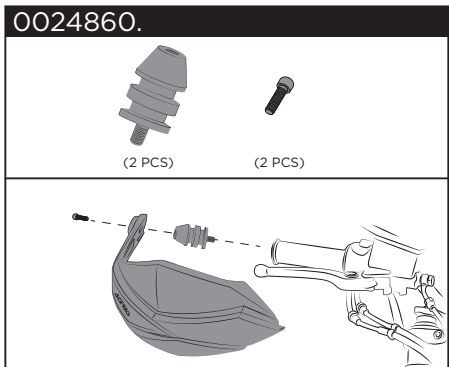
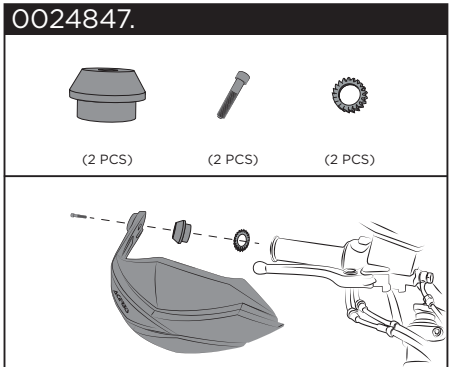
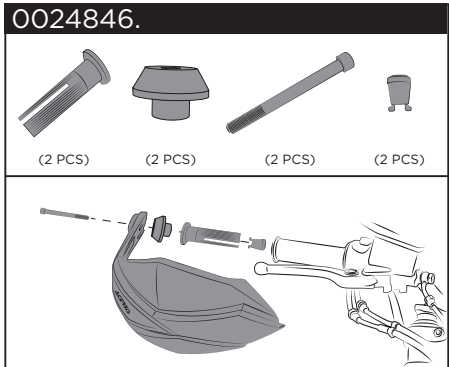
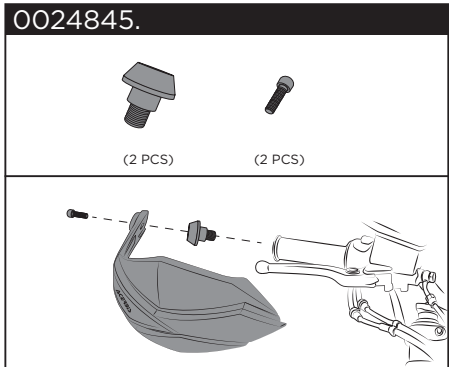
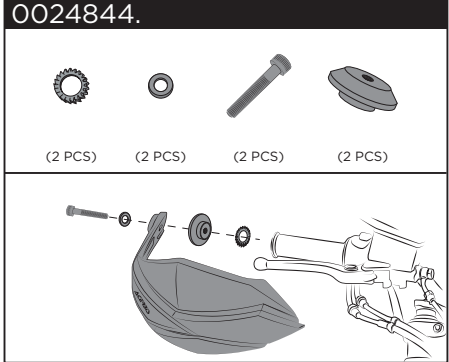
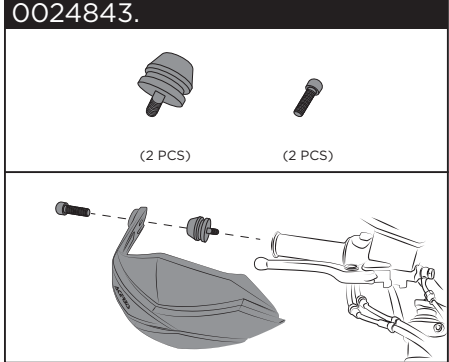
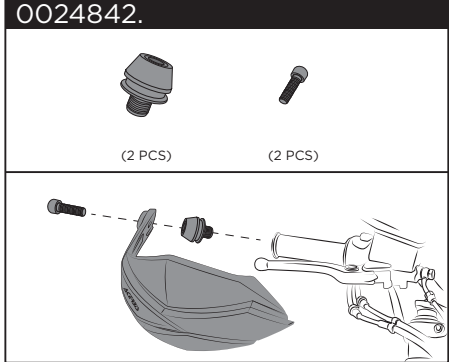
ACERBIS U.S.A. INC.  
MAIL P.O. BOX 2030  
SUN VALLEY, ID 83353  
SHIP 110 LINDAY CIRCLE  
KETCHUM, ID 83340  
U.S.A.

#### UNITED KINGDOM

ACERBIS U.K LTD  
UNIT 2 LUTON ENTERPRISE PARK  
SUNDON PARK ROAD  
LUTON, BEDFORDSHIRE LU3 3GU  
GREAT BRITAIN

## ARGON HANDGUARD PARAMANO ARGON

COD. 500008024 REV.2



### WARNING!

Follow mounting instruction exactly. Ensure that the mounting is secure before riding. These handguards will not prevent injury in the event of a crash. They are designed to protect the hands from cold weather. Be sure that you follow the instruction for installing the handguards. Do not ride with a broken tie wrap. Check to be sure the throttle and other controls are free every time you ride. Failure to heed instruction and this warning could lead to interference with the controls, loss of control of the motorcycle, and an accident.

#### EUROPE

ACERBIS ITALIA S.P.A.  
VIA SERIO, 37  
24021 ALBINO (BG)  
ITALY

#### U.S.A.

ACERBIS U.S.A. INC.  
MAIL P.O. BOX 2030  
SUN VALLEY, ID 83353  
SHIP 110 LINDAY CIRCLE  
KETCHUM, ID 83340  
U.S.A.

#### UNITED KINGDOM

ACERBIS U.K LTD  
UNIT 2 LUTON ENTERPRISE PARK  
SUNDON PARK ROAD  
LUTON, BEDFORDSHIRE LU3 3GU  
GREAT BRITAIN